



3.5" Digital Wireless Reversing Camera Kit

User Manual



www.falcontechology.co.uk

Thank you for purchasing the Falcon 3.5" Wireless Camera Kit. These instructions tell you how to operate and get the best from your new camera.

1. Install the Battery in Camera



Remove the two screws on the rear of the camera and remove the battery cover.

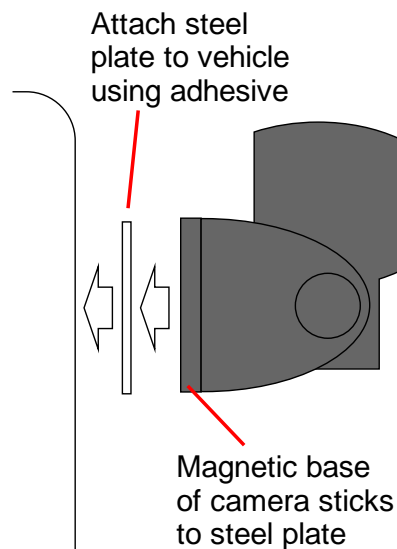
Connect the 9V PP3 battery to the clip on terminals observing the correct polarity.

Insert the battery into the compartment, replace the cover and screws and tighten.

2. Attaching the camera to your vehicle

The base of the camera is magnetic, if you have a suitable steel surface you can attach the camera directly to that.

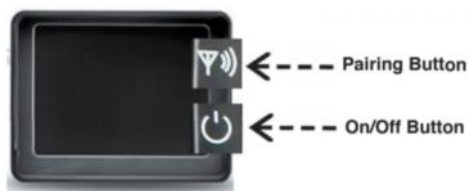
If you don't have a suitable steel surface you can attach the included white steel plate to your vehicle using the included adhesive or other adhesive of your choice and then attach the camera to that.



2. Operation

Press the power button on the camera for 2 seconds until you see a steady blue light (to power the camera off press the button again for 2 seconds).

Attach the monitor to a cigarette lighter socket in the vehicle. To power on/off the monitor press the power button (lower button on right hand side) for 3 seconds.



When the monitor and the camera are linked the blue light on the camera and the blue light on the monitor will both flash.

Note: If the signal from the camera is lost or the camera is turned off the monitor will go into standby mode 10 seconds after the camera is turned off (screen off, blue light on) and will turn back on again automatically once the camera is turned back on or brought back into range.

If the monitor shows a blue screen, still picture or fuzziness the battery may be weak or the camera may be out of range.

Charging the battery

The battery provided with the camera is a Nickel Metal Hydride (NiMH) rechargeable battery which can be charged with the included charger.

The battery does NOT need to be fully discharged before charging.

To charge the battery insert it into either of the charging slots on the charger, the charge status LED will light red to indicate fast charging mode and will turn green when the battery is fully charged.

The battery should be removed from the charger when fully charged although being left in the charger for many hours will not generally harm it.

The charge time for the 280mAh NiMH battery provided is approximately 5 hours.

A standard none-rechargeable battery may be used in the camera but should never be attempted to be charged in the charger.

Pairing the camera and monitor.

The system comes already paired so you should not need to pair them unless replacing the monitor or camera.

Pairing:

1. Turn the camera on by pressing the power button for 2 seconds.
2. Hold the power button on the camera for 6 seconds until the LED flashes Blue, the camera is now in pair mode for 10 seconds.
3. Turn on the monitor by pressing the power button for 3 seconds.
4. Push the pair button on the monitor until PAIR OK is displayed.
5. Turn the monitor off by pressing the power button for 3 seconds and then turn it back on.
The system is now paired.

Specifications

Camera operating voltage: 9V

Monitor operating voltage: 9V-24V

3.5" LCD Monitor

Wireless operating distance: Max 15 metres in open space

Waterproof to IP68

Viewing angle: 120 degrees

Usable illumination: 0 Lux (IR on)

Operating temperature: -20C ~ +70C