



4.3" Digital Wireless Reversing Camera Kit

User Manual



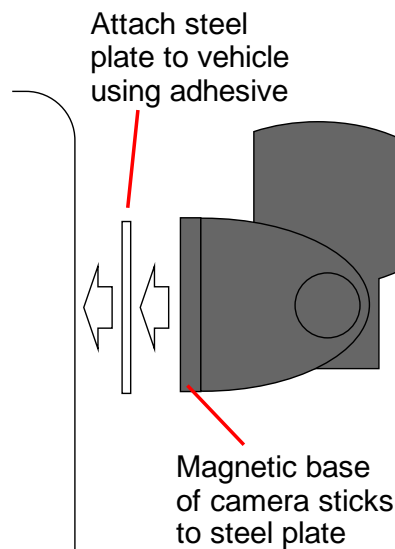
www.falcontechology.co.uk

Thank you for purchasing the Falcon 4.3" Wireless Camera Kit. These instructions tell you how to operate and get the best from your new camera.

1. Attaching the camera to your vehicle

The base of the camera is magnetic, if you have a suitable steel surface you can attach the camera directly to that.

If you don't have a suitable steel surface you can attach the included white steel plate to your vehicle using the included adhesive or other adhesive of your choice and then attach the camera to that.



2. Operation

Press the power button on the camera for 2 seconds until you see a steady blue light (to power the camera off press the button again for 2 seconds).

Attach the monitor to a cigarette lighter socket in the vehicle. To power on/off the monitor press the power button for 3 seconds.

When the monitor and the camera are linked the blue light on the camera and the blue light on the monitor will both flash.

Note: If the signal from the camera is lost or the camera is turned off the monitor will go into standby mode 10 seconds after the camera is turned off (screen off, blue light on) and will turn back on again automatically once the camera is turned back on or brought back into range.

If the monitor shows a blue screen, still picture or fuzziness the battery may be weak or the camera may be out of range.

3. Charging the battery

To charge your camera pull the orange cover on the rear of the camera to reveal the charging socket and plug the charge lead in.



Connect the other end of the charge lead to the included USB to car cigarette lighter/accessory socket adapter or a USB mobile phone adapter.

The camera should reach a full charge from flat in approximately 4.5 hours.

The LED on the camera is red when the camera is charging and switches off when the camera is fully charged.

After charging be sure to refit the orange rubber cover to the charge socket to prevent water ingress.

4. Pairing the camera and monitor.

The system comes already paired so you should not need to pair them unless replacing the monitor or camera.

Pairing:

1. Turn the camera on by pressing the power button for 2 seconds.
2. Hold the power button on the camera for 6 seconds until the LED flashes Blue, the camera is now in pair mode for 10 seconds.
3. Turn on the monitor by pressing the power button for 3 seconds.
4. Push the pair button on the monitor until PAIR OK is displayed.
5. Turn the monitor off by pressing the power button for 3 seconds and then turn it back on. The system is now paired.

Specifications

Monitor operating voltage: 9V-24V

4.3" LCD Monitor

Wireless operating distance: Max 15 metres in open space

Waterproof to IP68

Viewing angle: 120 degrees

Usable illumination: 0 Lux (IR on)

Operating temperature: -20C ~ +70C