



Hello  
Campers!



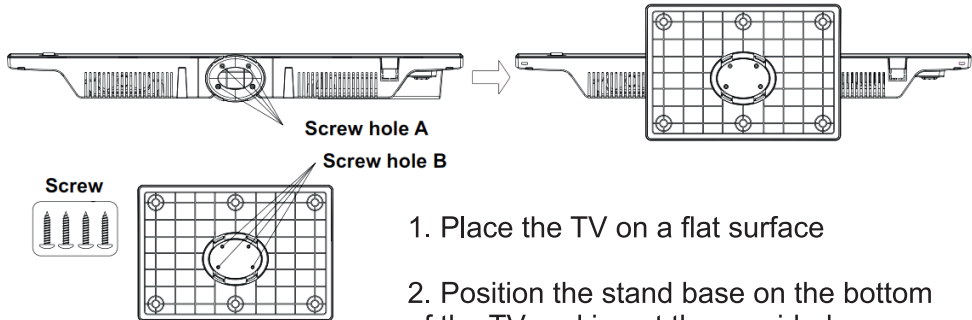
Welcome to  
your new TV

Read this first to  
get started

**Helpline: 01928 759239**  
or visit [www.falcontechology.co.uk/askgrandad](http://www.falcontechology.co.uk/askgrandad)

# Attach the stand or an optional wall mount

## Attaching the included stand

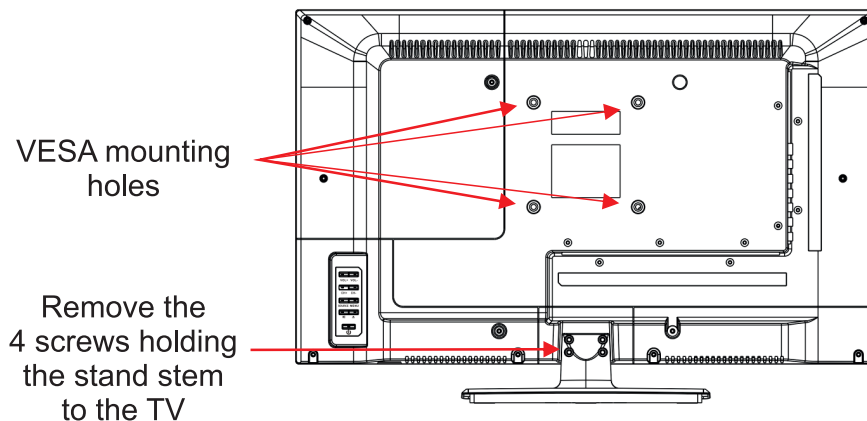


1. Place the TV on a flat surface
2. Position the stand base on the bottom of the TV and insert the provided screws through screw hole B into screw hole A on the TV and tighten.

## Attaching a wall mount bracket

The TV can be fixed to a wall using an optional 100x100 mm VESA mounting bracket.

Note: The screws in the package are for securing the TV to the included stand only. If you are using a wall mount bracket use the screws supplied with the bracket.

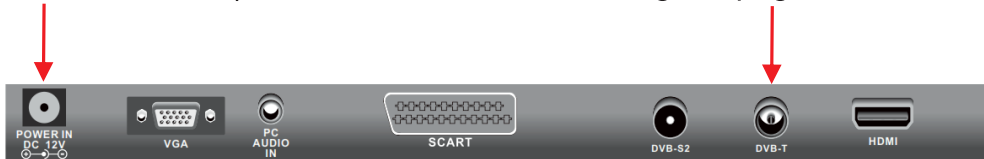


# Make your connections

On the bottom of the TV connect the power and your aerial or satellite dish

**Connect the 12 Volt lead or mains adapter here**

A 2 Pin 12V lead and a 24V adapter are available as optional extras



**Using a TV aerial?**

Connect your antenna here and go to page 3

**Using a satellite dish?**

Connect your dish here and go to page 5

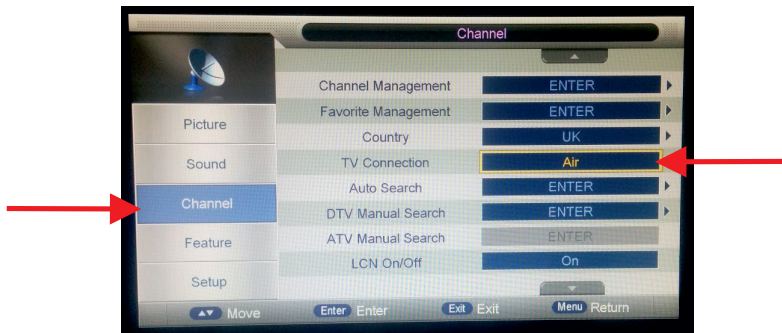
**Using a QuickSAT dish?**

Connect the audio jack plug from the speaker here



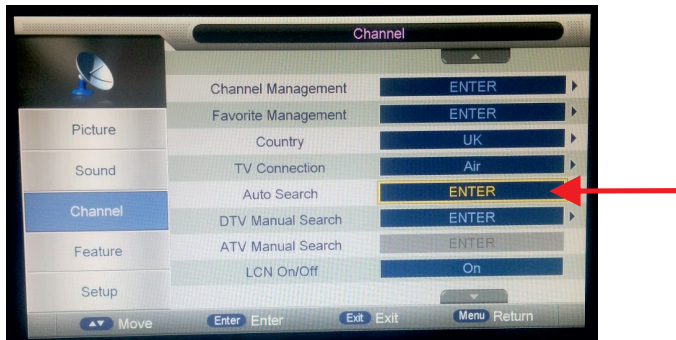
# Setup for Freeview or Saorview (using an aerial)

1. Connect to the cable from the antenna to the socket marked **DVB-T** on the back of the TV.
2. Switch the TV on and press the MENU button on the remote control. Select the Channel option on the left and check that TV Connection on the right shows **Air**.



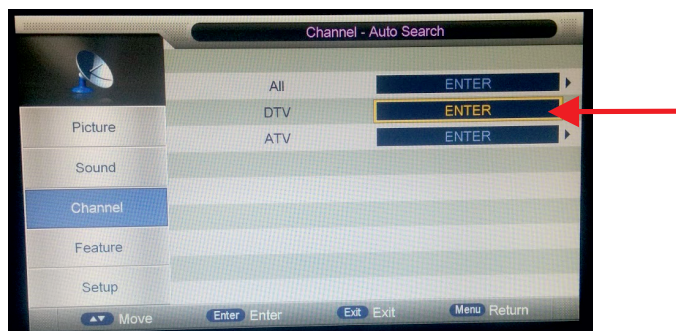
If it does not show Air use the right arrow button to move to the right then select the TV Connection entry, change to Air and press OK.

3. Select Auto Search from the channel menu:

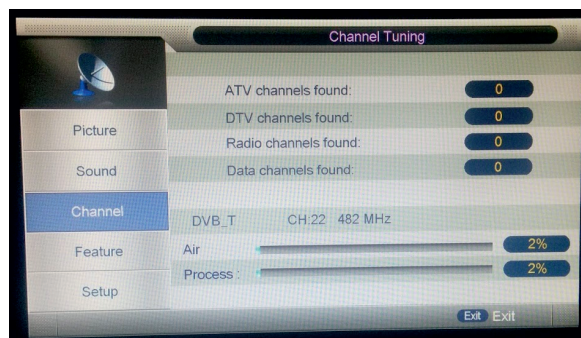




4. Then select DTV and confirm that you want to do a channel search by selecting OK.



5. Wait until the search process finishes and the TV returns to the viewing mode.



### **Grandad's tip**

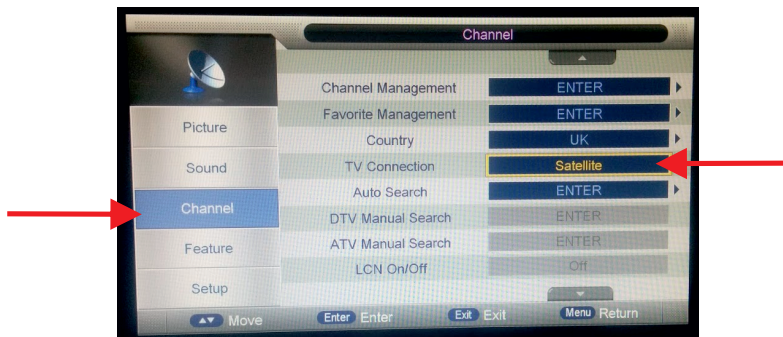
If you move to a different location you may need to do the channel scan again



# Setup for Satellite TV (using a dish)

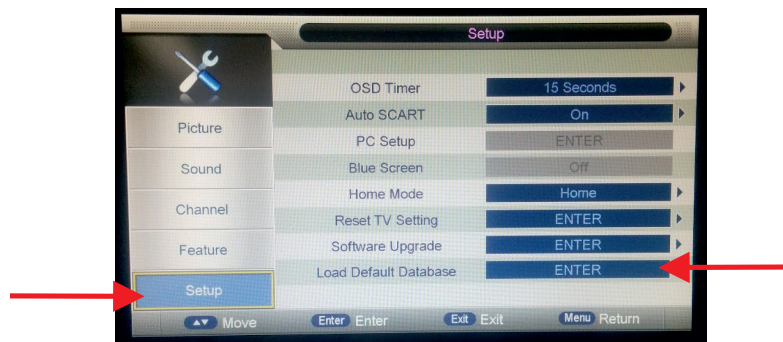
1. Connect the coaxial cable from the dish to the socket marked **DVB-S2** on the back of the TV.

2. Switch the TV on and press the MENU button on the remote control. Select the Channel option on the left and check that TV Connection on the right shows **Satellite**.

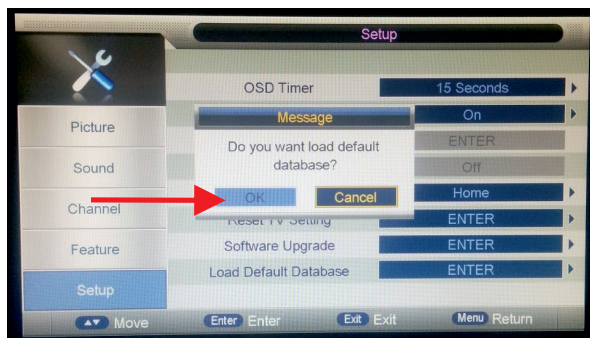


If it does not show Satellite use the right arrow button to move to the right then select the TV Connection entry, change to Satellite and press OK.

3. Select Channel Management to view the list of channels, if no channels are listed then press exit and return the menu again and select Setup and then Load Default Database.



4. Confirm that you want to do this by selecting OK and wait for the import process to finish. You should now have a channel list showing in channel management.



## Optional Extras Available



Roof Mount TV Antenna



Slide on/slide off Flat Wall Bracket



Swing Arm Wall Bracket



2 Pin 12V Power Lead



12V/24V Regulated Power Lead

If you have any questions then please

# Ask Grandad

*It's all a learning experience*



**Helpline: 01928 759239**  
or visit [www.falcontechonology.co.uk/askgrandad](http://www.falcontechonology.co.uk/askgrandad)