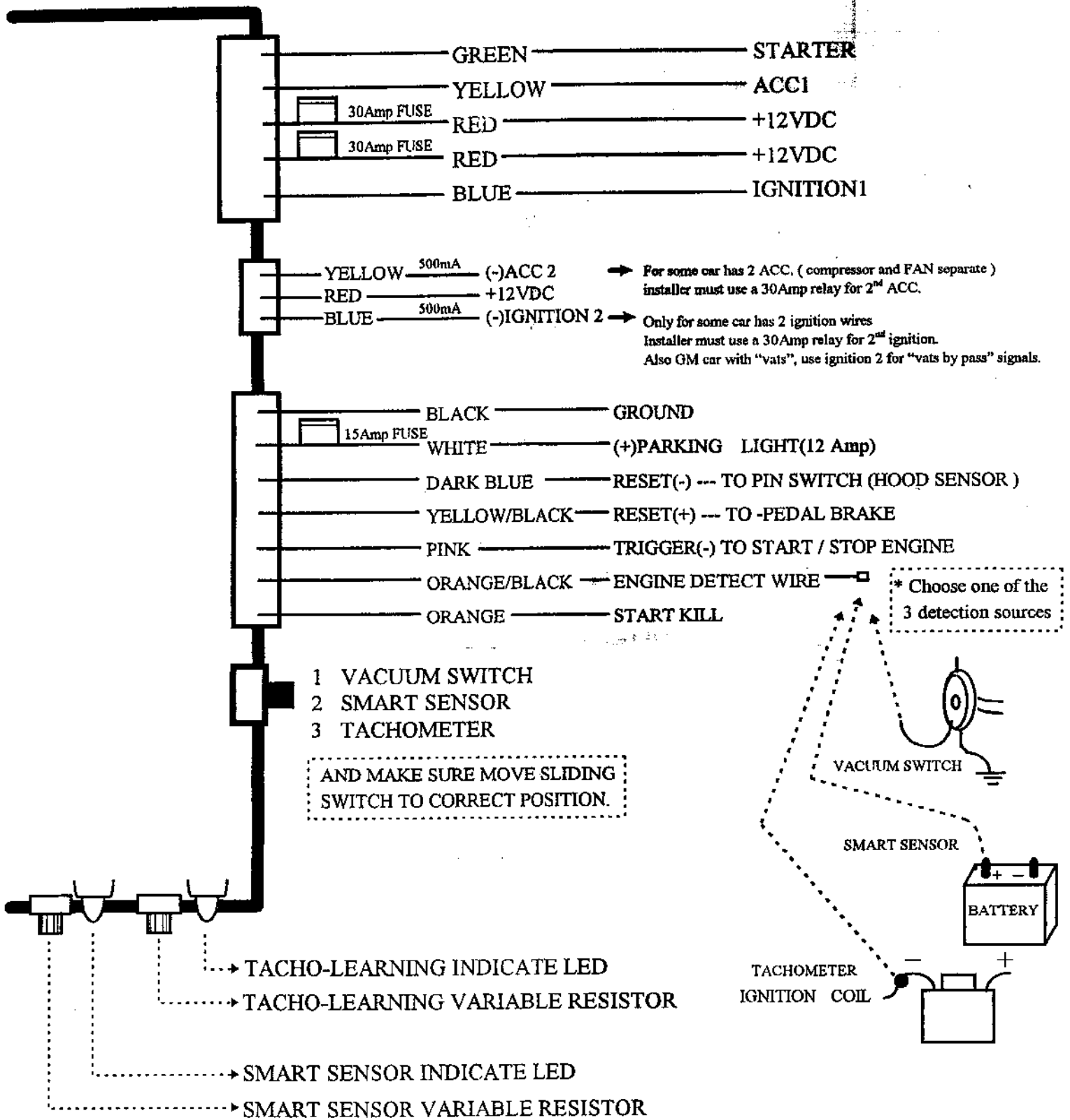
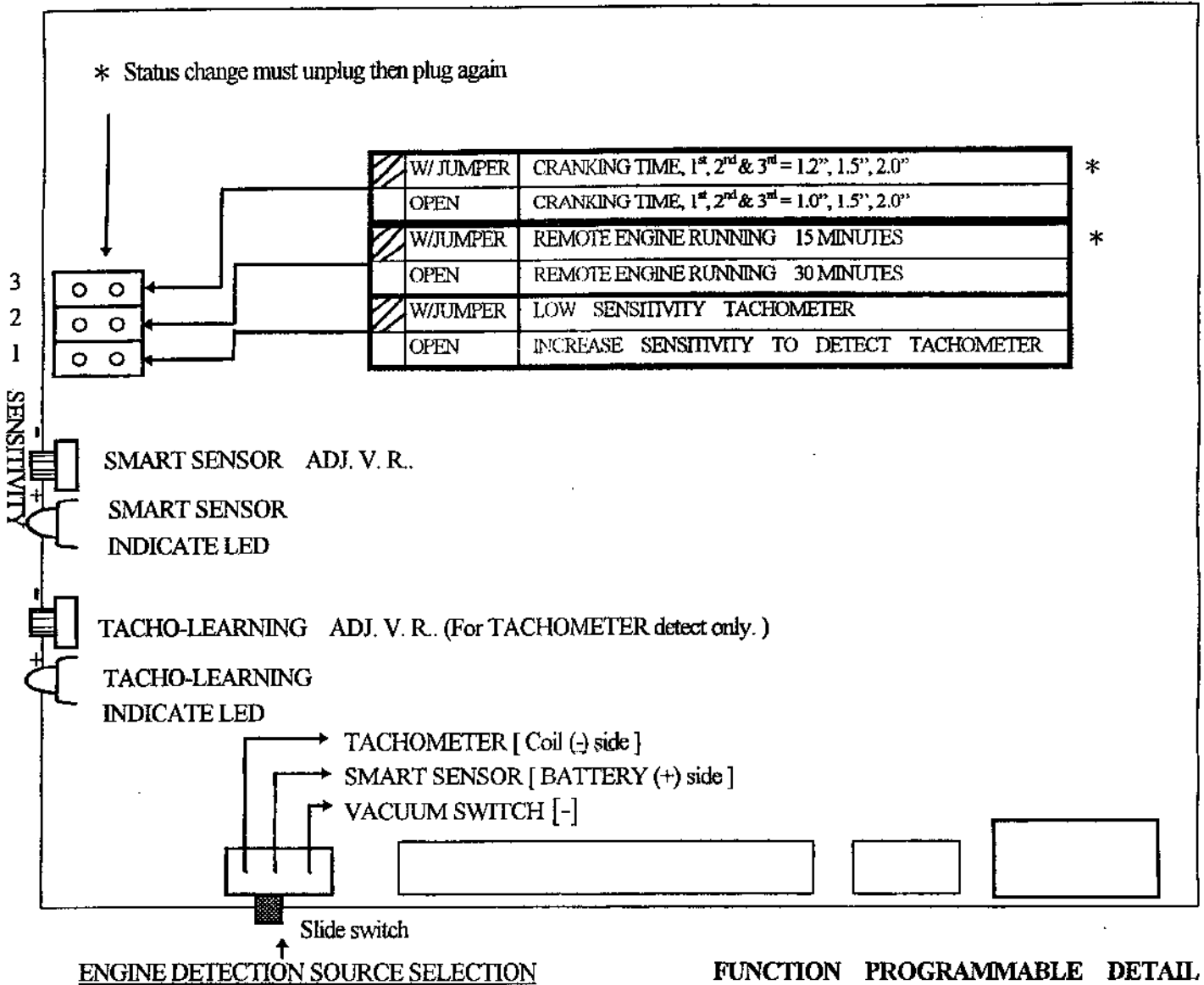


RS241 WIRING DIAGRAM

(F3WA-1)



RS241 OPERATIONAL MANUAL



- A. When installer chose RPM [coil (-) side] or Smart Sensor or Vacuum switch for engine detect, must remember to move Slide switch to correct position.
- B. How to adjust TACHO-Learning V.R. ?
Turn ignition on and start the car, press and release pedal accelerator until idling.
Turn V.R. 1 from left to right until LED just on .
- C. If user wants cranking time longer, turn V.R. 1 a little bit more to the left, every time cranking become a little longer.
- D. Same principle, if user intend to cranking less, from "LED just on" turn a little bit to the right
- E. If some car can't adjust VR to have LED on.
Please remove jumper 1 to get more sensitive sensor and adjust the same way as above.
- F. How to adjust smart sensor?
Make sure 2 principle as bellows :
① When ignition on and engine off , LED2 should not on or flash.
② When ignition on. and engine running , LED 2 must on (flash), means CPU really detect pulse from +12V.
- G. Also above adjust must turn from left to right.