



**FALCON PREDATOR XL**  
**Vehicle Security System with Anti-Hijack**  
**Installer's Manual**

**Table of Contents**

**1. FEATURES & SPECIFICATIONS ..... 2**  
**2. TRANSMITTER BUTTONS: ..... 2**  
**3. FUNCTION ..... 2**  
    3.1 Key Function: ..... 2  
    3.2 Remote Transmitter Code Learning ..... 2  
    3.3 Programming Features ..... 2  
    3.4 ARM MODE: ..... 3  
    3.5 Silent Arm/Disarm..... 3  
    3.6 Shock Sensor Bypass ..... 3  
    3.7 DISARM MODE: ..... 3  
    3.8 ALARM: ..... 3  
    3.9 Boot Release ..... 4  
    3.10 Panic Mode..... 4  
    3.11 Channel 3 Output ..... 4  
    3.12 Ignition Mode ..... 5  
    3.13 Override Mode ..... 5  
    3.14 Valet Mode ..... 5  
    3.15 Active/Passive Arming ..... 5  
    3.16 Door Lock/Unlock Pulse ..... 5  
    3.17 Interior Light Delay: ..... 6  
    3.18 Auto Rearm ..... 6  
    3.19 Anti-hijacking ..... 6  
**WIRING DIAGRAM.....Error! Bookmark not defined.**  
**WIRING NOTE ..... 8**

**HELPLINE: 0906 700 10 20**

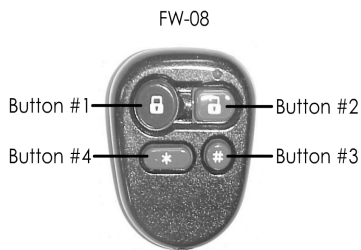
(All calls charged at 50p/min)

Falcon Security Ltd. Unit 9 Tanning Court, Warrington, Cheshire, WA1 2HF, UK  
Internet: <http://www.falcon-security.com> Email: [support@falcon-security.com](mailto:support@falcon-security.com)

## 1. FEATURES & SPECIFICATIONS

- . Arm / Disarm
- . Dual stage shock sensing
- . Panic mode / Anti hijacking
- . Valet mode
- . Auto re-arming
- . Ignition locking/Footbrake locking
- . Remote door lock / unlock
- . Remote boot release (if installed)
- . Last door rearming
- . Passive locking
- . Interior light delay
- . Car finder
- . Override mode
- . Silent arm/disarm
- . Door lock/unlock pulse defaults
- . Keyless entry
- . Channel 3 output
- . Automatic and manual anti-hijacking

## 2. TRANSMITTER BUTTONS:



## 3. FUNCTION

### 3.1 Key Function:

Button	Armed	Disarmed	Ignition On
PRESS BUTTON 1 ONCE	ARM	ARM	LOCK
PRESS BUTTON 2 ONCE	DISARM	DISARM	UNLOCK
PRESS BUTTON 1 OVER 3 sec.	PANIC	PANIC	
PRESS BUTTON 3 OVER 3 sec.	BOOT RELEASE	BOOT RELEASE	BOOT RELEASE
PRESS BUTTON 4 ONCE	PANIC	PANIC	
PRESS BUTTON 1+2	SILENT DISARM	SILENT ARM	ANTI-HIJACKING
PRESS BUTTON 3 then 1	CHANNEL 3	CHANNEL 3	CHANNEL 3

### 3.2 Remote Transmitter Code Learning

With the alarm disarmed, switch the ignition ON. Within 10 seconds press the valet switch 6 times, after 2 seconds, the siren will chirp for 2 seconds and then the system enters into the code learning mode. Within another 10 seconds, press any button of the first transmitter, the siren will chirp for 1 seconds and lights flash twice to confirm the code has been learned. Apply the same procedure within next 10 seconds for the second transmitter. The system will leave the code learning mode after finishing learning the code for 2 transmitters. If two transmitters are not programmed, the ignition is switched OFF or the time exceeds the 10-second programming time, the system will leave the code learning mode.

### 3.3 Programming Features

With the alarm disarmed, switch the ignition on and off. Within 10 seconds, press the valet switch 3 times, 2 seconds later, the siren will chirp for 2 seconds and the system will enter into the programming mode. Then within another 10 seconds, press the valet switch to select an item. After selecting the item, 2 seconds later, the siren will chirp once (default disabled) or twice (default enabled) to indicate the default has been changed. For example, if you need to change the setting of No.3 Interior Light Delay from disabled to enabled: after the system enters programming mode, within 10 seconds press the valet switch 3 times and the siren will chirp 3 times. 2 seconds later, the siren will chirp twice to indicate Interior Light Delay is programmed as enabled. Then if you also need to change Default #6 Channel 3 output as enabled, press the valet switch 6 times within another 10 seconds and the siren will chirp 6 times. 2 seconds later, the siren will chirp twice to indicate the

Channel 3 output is programmed as enabled. The system will leave the programming mode if the door is closed, the ignition is switched on or the interval between any action exceeds 10 seconds. The siren will chirp 2 seconds to indicate that the system has left programming mode.

## Table of the Programming Features

No.	Chirp	Function	Chirp Once	Chirp Twice
1	1 CHIRP	IGNITION DOOR LOCK/UNLOCK	DISABLED	ENABLED
2	2 CHIRP	DOOR LOCK/UNLOCK TIME	1 SEC.	4 SEC.
3	3 CHIRP	INTERIOR LIGHT DELAY	DISABLED	ENABLED
4	4 CHIRP	ACTIVE/PASSIVE ARMING	ACTIVE	PASSIVE
5	5 CHIRP	ALARM TIME	30 SEC.	60 SEC.
6	6 CHIRP	CHANNEL 3 OUTPUT	DISABLED	ENABLED
7	7 CHIRP	ANTI HIJACKING	DISABLED	ENABLED
8	8 CHIRP	ANTI HIJACKING MODE	MODE 1	MODE 2

### 3.4 ARM MODE:

With the alarm disarmed, press button (1) when the ignition is off, the siren will chirp once, lights flash once and doors lock (if connected and depending on the default as 1 or 4 seconds), the LED flashes slowly, the immobiliser turns on, and the system enters into the arm mode.

### 3.5 Silent Arm/Disarm

A. Press button (1) and (2) once simultaneously, the system will enter into the silent arm/disarm. The siren will not chirp. If doors, bonnet or boot are not closed properly, the indicator lights will flash three times and the LED will flash to indicate that doors, bonnet or boot are not closed properly. The triggers of the above three sensors will be bypassed until they are closed properly.

B. When the system is silent disarmed and the alarm has been triggered in the users absence, the immobiliser will turn off, indicator lights flash three times, the siren will chirp four times and the LED flashes the trigger status. Then the system will enter into the auto rearm mode.

### 3.6 Shock Sensor Bypass

After pressing button (1) to arm, then press button (1) again within 3 seconds, the siren will chirp once and the shock sensor will be bypassed.

### 3.7 DISARM MODE:

A. Disarm Code:

a. When the system is armed, press button (2) once, the siren will chirp twice, lights flash twice and doors will unlock (if connected). The immobiliser will turn off and the LED flashes rapidly, then the system enters into the auto rearm mode (ie. The system will rearm itself in 30 seconds if a door is not opened).

b. With the system armed, press button (2) once, the siren will chirp 4 times if there was a trigger in your absence. The indicator lights will flash three times and the doors will unlock (if connected), the immobiliser will turn off, the LED will flash trigger memories and then the system enters into the auto rearm mode (ie. The system will rearm itself in 30 seconds if a door is not opened).

B. Trigger Memory:

If the 2-stage shock sensor triggered ----- LED is in the cycle of flashing once and off.

If boot or bonnet triggered ----- LED is in the cycle of flashing twice and off.

If doors triggered ----- LED is in the cycle of flashing three times and off.

If ignition triggered ----- LED is in the cycle of flashing four times and off.

C. Clear trigger memories: After pressing the button to disarm, switch the ignition on to clear the trigger memories.

### 3.8 ALARM:

A. 1st-stage Shock Sensor Trigger:

When the system is armed the siren will chirp three times when this sensor is triggered. If three constant triggers are received from the first-stage trigger then the first-stage shock sensor will be bypassed until the system is rearmed.

B. 2<sup>nd</sup>-stage Shock Sensor Trigger:

When the system is armed, the siren will sound for 30 seconds when this sensor is triggered. The indicator

lights will flash for 30 seconds, the LED will start a cycle of flashing once and then off, the system will remain armed. If three constant triggers are received from the second-stage shock sensor, then the second-stage shock sensor will be bypassed until the system is rearmed.

#### C. Bonnet or Boot Trigger

a. When the system is armed, the siren will sound for 30 seconds if bonnet or boot is triggered. The siren will sound for 30 seconds, indicator lights will flash for 30 seconds, the LED will start a cycle of flashing twice and then off, the system will remain armed.

b. When the system is armed, if bonnet or boot is triggered and then are left open, the siren will alarm for three cycles with an interval of 3 seconds between each cycle. The system will remain in the armed mode but the bonnet and boot sensors will be bypassed until they are closed properly.

#### D. Door Trigger

a. When the system is armed, the system will alarm if the doors are triggered. The siren will sound for 30 seconds, indicator lights will flash for 30 seconds, the LED will start a cycle of flashing three times and then off, the system will remain in the armed mode.

b. When the system is armed, the system will alarm for 3 cycles if doors are triggered and not closed the siren will alarm for three cycles with an interval of 3 seconds between each cycle. After 3 alarm cycles, the system will remain in the armed mode but the door sensors will be bypassed until doors are closed properly.

#### E. Ignition Trigger

a. When the system is armed, if the ignition is triggered (turned on), the siren will sound for 30 seconds, the LED will start a cycle of flashing four times and then off, the system will remain in armed mode.

b. When the system is armed, if the ignition is triggered and left turned on, the system will alarm for three cycles with an interval of 3 seconds between each cycle. After 3 alarm cycles, the system will remain in the armed mode but the ignition sensor will be bypassed until the ignition is turned off.

#### F. Alarm Disable:

a. The system will remain in armed mode after the 30-second alarm time.

b. During the alarm being triggered, press button (2) once, the system will disarm. The siren will chirp 4 times, the immobiliser will turn off, the indicator lights will flash three times, doors unlock (if connected) and the LED will flash the trigger memories.

### 3.9 Boot Release

With the alarm armed or disarmed pressing button (3) for over 2 seconds will operate the boot release (where fitted).

### 3.10 Panic Mode

A. When the system is armed, press button (1) for over 3 seconds, 3 seconds later the siren will sound for 30 seconds, indicator lights will flash for 30 seconds and the LED flashes rapidly. The system will remain in armed mode.

B. When the system is disarmed, press button (2) for over 3 seconds, the system will be armed. 3 seconds later, the siren will sound for 30 seconds, indicator lights flash for 30 seconds and the LED flashes rapidly. The system will remain in armed mode.

C. When the system is armed, press button (4) once, the siren will sound for 30 seconds, the lights will flash for 30 seconds and the LED will flash rapidly. The system will remain armed.

D. When the system is disarmed, press button (4) once, the alarm will sound for 30 seconds and enter armed mode immobiliser will turn on, doors will be locked (if connected), indicator lights flash for 30 seconds and the LED flashes rapidly. The system will remain armed.

### 3.11 Channel 3 Output

A. If channel 3 output is programmed as enabled: After the system is armed, the system will send a 30-second signal to the channel 3 output. This can be used for control of total closure on those vehicles with this feature.

B. If channel 3 output is programmed as disabled: After the system is armed, the system will not send any signals for channel 3 output automatically after arming but by pressing button (3) then hold button (1), the

system will send a 30-second signals to the channel 3 output.

### 3.12 Ignition Mode

#### **\*if C2-3 connected to brake light:**

A. If the ignition door lock/unlock is programmed as disabled (Footbrake lock)

\*When the system is disarmed and the ignition is on, if all doors are closed properly, the doors will be locked (if connected) when the footbrake pedal is pressed. Once all doors are locked, depressing footbrake pedal will not activate door locks.

\*If any or all doors are not closed properly, depressing the footbrake pedal will not activate door locks.

\*When the system is disarmed and the ignition is on, the footbrake lock will be activated once after the doors are opened and closed doors the footbrake pedal pressed.

\*When the ignition is switched off the doors will be unlocked immediately.

B. If the ignition door lock/unlock is programmed as enabled (Ignition door lock)

\*When the system is disarmed, after switching the ignition on, doors will be locked after 3 seconds if all doors are closed properly.

\*When the ignition is switched off the doors will be unlocked immediately.

C. When under the ignition mode, pressing button (2) once will also control door lock/unlock.

#### **\*if C2-3 NOT connected to brake light:**

**When Disabled:** The doors will not be locked when ignition is turned on or unlocked when ignition is turned off.

**When Enable:** The doors will be locked automatically when ignition is turned on and unlocked automatically when ignition is turned off.

In this case, the doors will not be able to be automatically locked again if the door is opened and closed during driving.

### 3.13 Override Mode

When the system is in the armed mode or the alarm is triggering, switch the ignition on, press the valet switch once and the system will be disarmed.

### 3.14 Valet Mode

A. With the system disarmed, switch the ignition on, within 10 seconds press the valet switch for over 2 seconds, the LED will turn on and then the system enters into to the valet mode.

B. The anti-hijacking will not be activated when the system is under the valet mode.

C. Under the valet mode, pressing buttons on transmitters will only control door lock/unlock.

D. To leave valet mode, switch the ignition on, within 10 seconds press the valet switch over 2 seconds. The LED will turn off, the siren will chirp twice and the system will leave the valet mode.

### 3.15 Active/Passive Arming

A. When programmed as active:

The alarm will only be armed when button (1) is pressed.

B. When programmed as passive:

With the alarm disarmed, after switching the ignition off and the doors are opened and closed the LED will flash rapidly and the system will enter into the arm mode after 30 seconds. If the doors are opened and closed again within 30 seconds of LED rapid flashing, the 30-second wait will be re-started.

### 3.16 Door Lock/Unlock Pulse

A. When the ignition door lock/unlock pulses are programmed as 1 second: door lock/unlock time is 1 second.

B. When the ignition door lock/unlock pulses are programmed as 4 seconds: door lock/unlock time is 4 second.

### **3.17 Interior Light Delay:**

A. When the interior light delay is programmed as disabled:

If doors, boot or bonnet are not closed properly and then the system enters into the arm mode, the siren will chirp three times, indicator lights flash three times and the doors lock (if connected). The LED will flash the memory to indicate that doors, boot or bonnet are not closed properly, and then the system enters the arm mode. The triggers of the above three sensors will be bypassed until they are closed properly.

B. When the interior light delay is programmed as enabled:

If doors are not closed properly, the siren will chirp three times in 20 sec. after entering the armed mode the LED will flash the memory to indicate that doors are not closed properly. The triggers of door sensors will be bypassed until they are closed properly. But the siren will chirp three times immediately after entering the armed mode if the boot or bonnet is not closed properly as per point A.

### **3.18 Auto Rearm**

If triggered, after pressing button (2) to disarm the LED will flash the trigger memories if applicable or the LED will flash rapidly, the system will be in the auto rearm mode and enter into the arm mode in 30 seconds a door is not opened.

### **3.19 Anti-hijacking**

A. When anti-hijacking programmed as disabled:

There is no anti-hijacking function.

B. When anti-hijacking programmed as enabled and anti-hijacking as mode 1:

a. When the system is disarmed and the ignition is on, press button (1) and (2) simultaneously, lights will flash once and the system enters into the anti-hijacking mode. 60 seconds later, the siren will chirp 10 times and then the alarm starts sounding. The immobiliser will turn on and indicator lights will start flashing. The siren will alarm for 30 seconds (or 60 seconds) for one cycle. The interval between cycles is 3 seconds. The alarm will not stop until the anti-hijacking is deactivated. When switch the ignition off during a cycle, the alarm will sound until the alarming cycle finishes and the system will remain under the anti-hijacking mode. If the ignition is switched on again, the alarm will sound as described as above.

b. Deactivating the anti-hijacking:

\*After the alarm has gone into the anti-hijacking mode, within the 10-chirps or 60-second period, switch the ignition off and on and press the valet switch once, the anti-hijacking mode will be deactivated.

\*After enter into the anti-hijacking mode and while the alarm is sounding, switch the ignition off and on, press the valet switch for over 2 seconds, the anti-hijacking mode will be deactivated.

C. When anti-hijacking programmed as enabled and anti-hijacking as mode 2:

a. When the system is disarmed and the Ignition is on and a door is opened or closed the indicator lights will flash once and the system will automatically enter into the anti-hijacking mode. 60 seconds later, the siren will chirp 10 times and then the alarm starts sounding. The doors will be locked (if connected), the immobiliser will turn on and the indicator lights will start flashing. The siren will alarm for one cycle. The interval between cycles is 3 seconds. The alarm will not stop until the anti-hijacking is deactivated. When the ignition is switched off during a cycle the alarm will sound until the alarming cycle finishes. And the system will remain in anti-hijacking mode. If the ignition is switched on again the alarm will sound as described as above.

b. Deactivating the anti-hijacking:

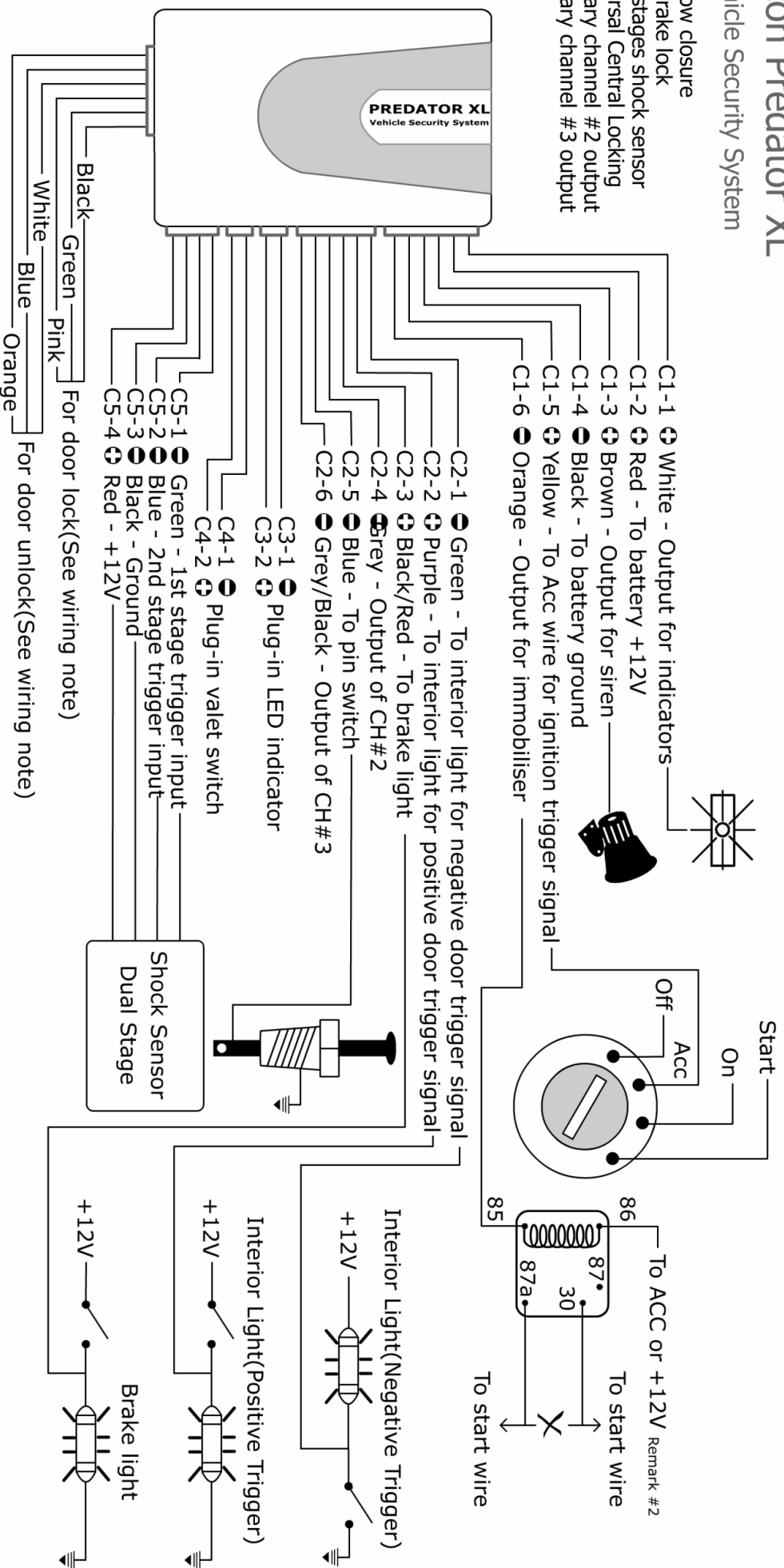
\*After the alarm has gone into the anti-hijacking mode, within 10-chirp or 60-second period, switch the ignition off and on and press the valet switch once, the anti-hijacking mode will be deactivated.

\*After enter into the anti-hijacking mode and while the alarm is sounding, switch the ignition off and on, press the valet switch for over 2 seconds, the anti-hijacking mode will be deactivated.

# Falcon Predator XL

## Vehicle Security System

- \*Window closure
- \*Footbrake lock
- \*Dual stages shock sensor
- \*Universal Central Locking
- \*Auxiliary channel #2 output
- \*Auxiliary channel #3 output



### Remark:

1. Connect either C2-1 or C2-2 depending on whether the vehicle's interior light is positive or negative trigger
2. Immobiliser relay:

- \*If connected #86 to Acc, under the armed mode, the start kill relay will be on only when the Acc is on(low power mode)
- \*If connected to +12V, the start kill relay will be on when the system is armed

## FAI-440 Wiring Note

### Central door Lock Wiring Diagram

Diagram #A

Original built-in central power lock

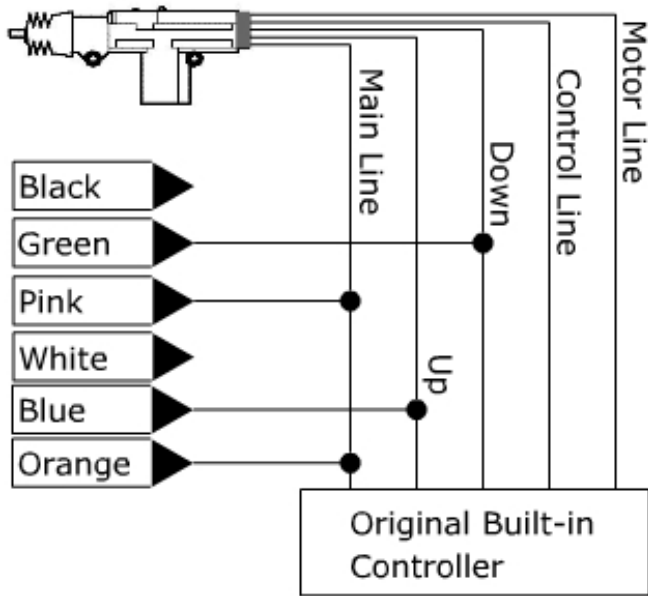


Diagram #B

Original built-in central power lock & electric power lock switch were installed  
For example: CHRYSLER

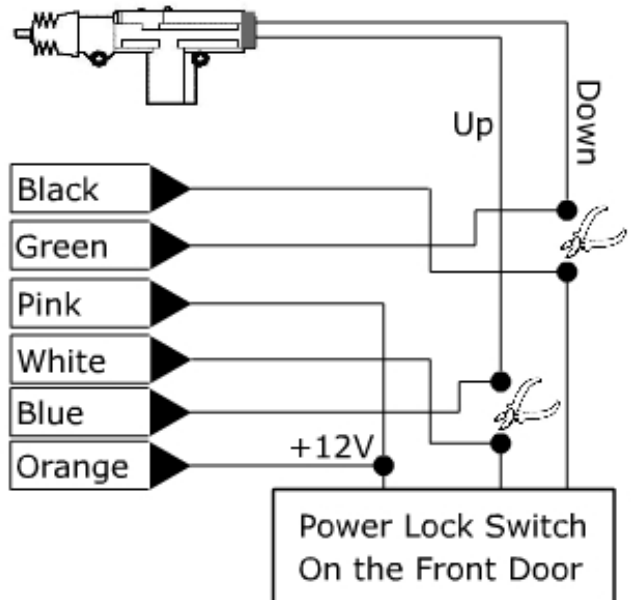


Diagram #C

Original built-in central power lock & only a switch existed inside of the front door.  
A motor and the control level were required

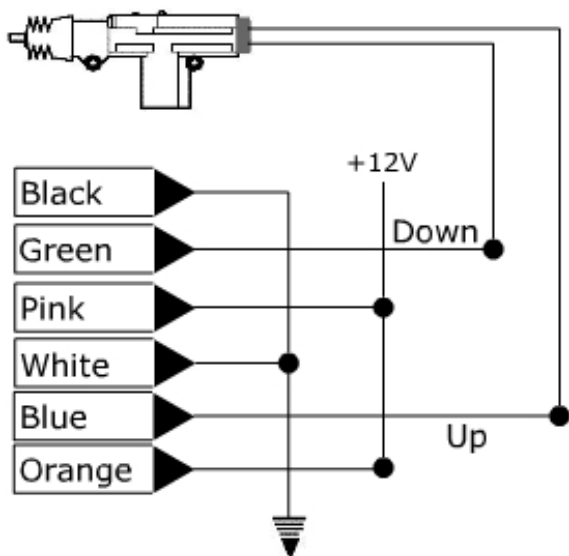


Diagram #D

Original built-in power lock & using compressor to control the switch.  
For example: BENZ, AUDI  
(Note: Active time 3.5 sec.)

